

lightweight
construction

power
30W, 50W, 100W

easy mounting
on pole or wall



angle adjustment
+/- 15°

minimalistic
design

Ø60mm

twilight sensor

ROAD LUMINAIRE

FLAMINGO

with twilight sensor

Automatic lighting, maximum savings.

FLAMINGO with twilight sensor

Automatic lighting management saves energy, improves safety and simplifies operation, giving full control without the need for manual control.

Optimum illumination of the space

The luminaire turns on at 50 lux and turns off at 500 lux, which means that it works not only at night, but also in overcast conditions.

Automation of operations

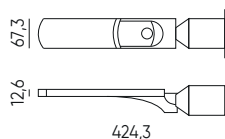
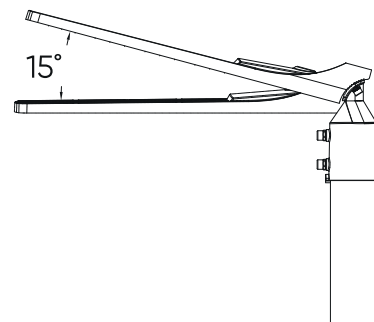
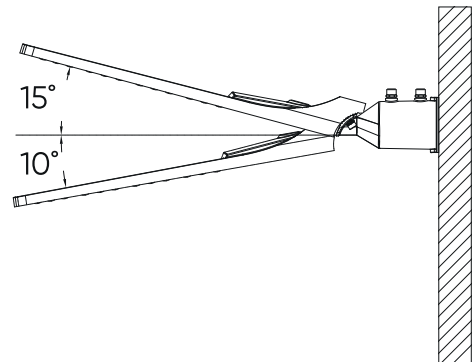
The luminaire operates automatically, eliminating the need for manual activation and installation of an additional astronomical switch.

Application

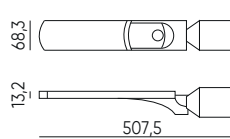
Luminous efficacy of 100 lm/W and high color rendering index Ra>80 ensure effective illumination of selected areas.

Mounting flexibility

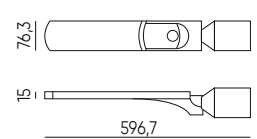
Mounting on a pole, extension arm or directly on the wall with the possibility of tilting the luminaire by +/- 15° or at 90°.



203785
203815
206960



203792
203822
206977



203839
203808
206984

Available models of FLAMINGO road luminaires with twilight sensor:

206960	Road luminaire FLAMINGO 30W 3000lm 4000K twilight sensor grey
206977	Road luminaire FLAMINGO 50W 5000lm 4000K twilight sensor grey
206984	Road luminaire FLAMINGO 100W 10000lm 4000K twilight sensor grey

